

## WARRANTY TERMS AND CONDITIONS

Stove Kraft Limited warrants to the purchaser of products for a period of 2 Years commencing from the date of invoice, the company will repair or replace free of charge any part or parts of the product, should the company be fully satisfied in its sole discretion, that the defect/s is/are due to faulty material or workmanship only. The warranty will be governed by the following clauses.

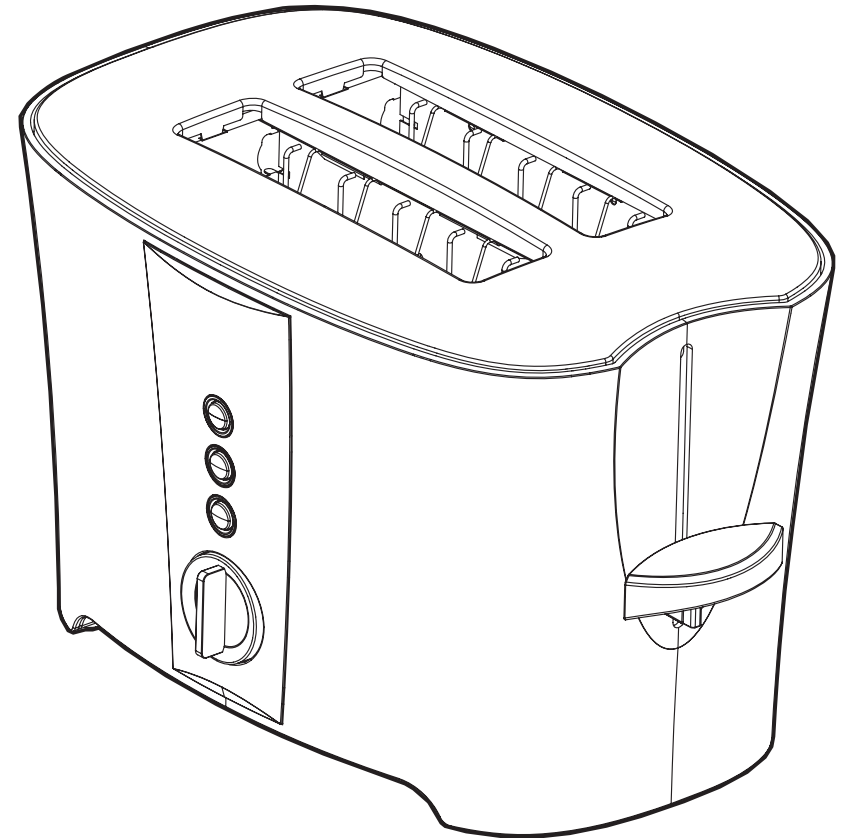
- 1) The company or their Authorised Service Agent will repair / replace all parts that are failing due to faulty material or defective workmanship pertaining to the above product.
- 2) Only the Company or its Authorised Service Agent can service / repair or attend to install/reinstall the above product.
- 3) On-site warranty will be executed. The warranty will be executed at customer place / authorized dealer / service centres and in which the authorized representative is situated including outstation locations.
- 4) The warranty extended herein is in lieu of all implied conditions & warranties under the law and is confined to the repair or replacement of defective parts and does not cover any consequential or resulting liability, damage or loss arising from such defects. Furthermore, the warranty in no case shall extend to the payment or any monetary consideration whatsoever, of the replacement or return of the product as a whole.
- 5) This warranty excludes consumables, corrosive, plastic, rubber and glass components adding decorative value to the product.
- 6) The company is not liable to carry out any servicing work under the warranty.
- 7) The courts of competent Jurisdiction at Bangalore, Karnataka shall have exclusive Jurisdiction over all matters arising out of any disputes in relation to product.
- 8) Stove Kraft shall not be liable to replace or repair the good under the terms of warranty  
where:
  - a) The fault has been caused or is attributable to accidental use, misuse, negligent use or used contrary to the manufacturer recommendation
  - b) The appliance has been used on a voltage supply other than that stamped on the product.
  - c) Repairs have been attempted by persons other than the company or their authorized service agent.

For any customer complaints, please contact:

Stove Kraft Limited

# 81, Harohalli Industrial Area, Kanakapura Taluk, Ramanagara District, Bangalore Rural - 562 112

Manager, Consumer Care Cell | Toll Free No.: 1800-425-20202 | Email: [bd.customercare@stovekraft.com](mailto:bd.customercare@stovekraft.com)



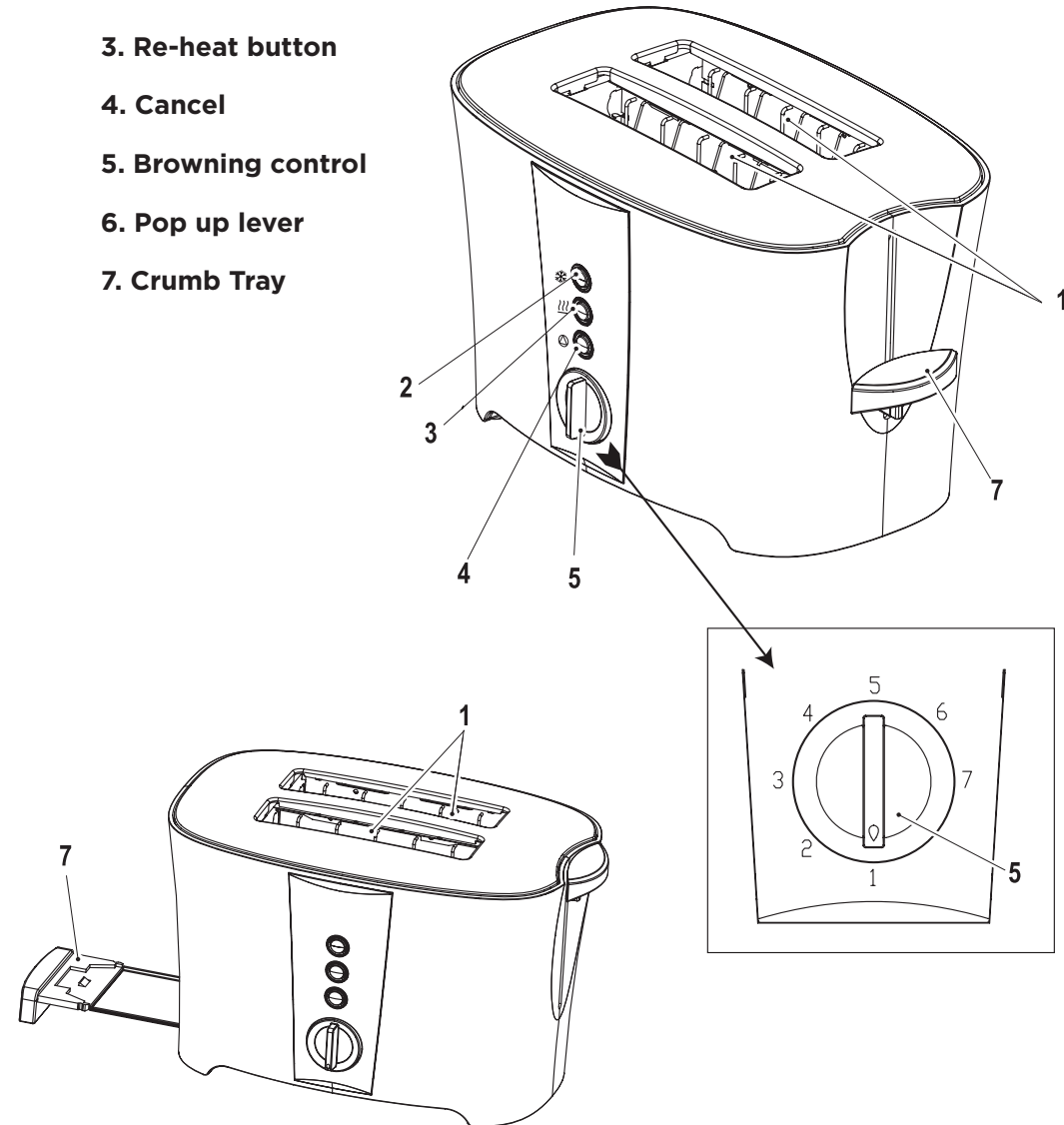
**BXTO0201IN**

## CONTENTS

Intended Use	1
Safety Instructions	1
Using your appliance	1
Safety Of Others	1
Inspection And Repairs	2
Electrical Safety	2
Extension Cables & Class 1 Product	2
Additional safety instructions for Toaster	3
Instructions for use	3
Maintenance & cleaning	4
After Use	5
Disclaimer	5
Technical Data	5

## PARTS IDENTIFICATION

1. **Toasting slots**
2. **Frozen bread button**
3. **Re-heat button**
4. **Cancel**
5. **Browning control**
6. **Pop up lever**
7. **Crumb Tray**



## INTENDED USE

Your Black+ DeckerToaster has been designed for toasting slices of bread. This appliance is intended to be used in household and similar applications. This appliance is not intended to be used in Staff kitchen areas in shops, offices and other working environments; Farm houses; By clients in hotels, motels and other residential type environments; Bed and breakfast type environments; or any other non-household environments.

## SAFETY INSTRUCTIONS

**Warning!** When using mains powered appliances, basic safety precautions, including the following, should always be followed to reduce the risk of fire, electric shock, personal injury and material damage.

Read all of this manual carefully before using the appliance. The intended use is described in this manual. The use of any accessory or attachment or the performance of any operation with this appliance other than those recommended in this instruction manual may present a risk of personal injury. Retain this manual for future reference.

- The surface of the toaster is liable to get hot during use.
- Always route the cord carefully to avoid a tripping hazard.
- Never operate an appliance directly below the socket-outlet it is connected to.

## USING YOUR APPLIANCE

- If applicable, make sure that the appliance is switched off before connecting to or disconnecting from the power supply.
- Always take care when using the appliance.
- Do not use the appliance outdoors.
- Never pull the power supply cord to disconnect the plug from the socket. Keep the power supply cord away from heat, oil and sharp edges.
- Disconnect the appliance from the power supply when not in use, before fitting or removing parts, maintenance and before cleaning.
- Surfaces may be hot during use and during the cool down period
- Do not operate or place any part of this appliance on or near any hot surface, such as a gas or electric burner or in a heated oven.
- When using an extension cord with your appliance, make sure the extension cord is correctly wired & rated for its use.

## SAFETY OF OTHERS

- Do not allow children or any person unfamiliar with these instructions to use the appliance.
- This appliance is not intended for use by persons (including children) with reduced physical, sensory or mental capabilities, or lack of experience and knowledge, unless they have been given supervision or instruction concerning

use of the appliance by a person responsible for their safety. Children should be supervised to ensure that they do not play with the appliance.

- Do not allow children or animals to come near the work area or to touch the appliance or power supply cord. Close supervision is necessary when the appliance is used near children.
- Never leave an appliance unattended when in use.
- Do not allow the cord set to hang over bench tops.

## INSPECTION AND REPAIRS

- Before use, check the appliance for damaged or defective parts. Check for breakage of parts, damage to switches and any other conditions that may affect its operation
- Do not use the appliance if any part is damaged or defective.
- Have any damaged or defective parts repaired or replaced by an authorised repair agent.
- Before use, check the power supply cord for signs of damage, ageing and wear.
- Do not use the appliance if the power supply cord or mains plug is damaged or defective.
- If the power-supply cord or mains plug is damaged or defective it must be repaired by the manufacturer or its service agent or a similarly qualified person in order to avoid a hazard. Do not cut the power supply cord and do not attempt to repair it yourself.
- Never attempt to remove or replace any parts other than those specified in this manual.
- Do not attempt to repair the appliance. Take it to your nearest Black+Decker owned or authorised Service Centre for repair.

## ELECTRICAL SAFETY



This product must be earthed. Always check that the power supply corresponds to the voltage on the rating plate.

## EXTENSION CABLES & CLASS 1 PRODUCT

- A 3 core cable must be used as your tool is earthed and of class 1 construction.

## ADDITIONAL SAFETY INSTRUCTIONS FOR TOASTERS

- Do not immerse the appliance, cord set or plug in liquids.
- Always leave sufficient space around the appliance for ventilation.
- Do not use the unit if you have wet hands or bare feet.
- "Switch off the appliance before changing accessories or approaching parts which move in use".
- The bread may burn, therefore do not use the toaster near or below combustible material, such as curtains.

## ASSEMBLY

- This appliance is supplied fully assembled & only requires parts to be cleaned before use. See "Cleaning" for details.

## INSTRUCTIONS FOR USE

- Place the bread to be toasted in the Toasting slots (1). One or two slots may be used at a time. Move the browning control (5) to the required setting.
- Connect the appliance to a suitable electrical supply. Push the pop-up lever (6) gently down until it locks in position.
- The bread will be lowered as the lever moves down. The browning control sets the time that the toaster will operate.
- After that time has elapsed, the popup lever will be released & the toast will automatically lift to the top of the slot.

**Note:** The toast will be hot, use caution when removing hot toast from the appliance.

If the toast is too dark, move the browning control to a lower number before continuing. If the toast is too light, move the browning control to a higher number before continuing.

**Note:** Surfaces may be hot during use and during the cool down period. Disconnect the appliance from the electrical supply.

### Frozen Bread

- Frozen bread can be used to make toast using the "Frozen Bread" function.
- To toast frozen bread, place the bread into the bread slots and select the desired Browning Setting. Push the pop-up lever down until it clicks into place then press the frozen button (2).

### Re-Heat

- The toaster allows you to reheat toast without additional toasting. To reheat, place toast into bread slots, Push the pop-up lever until it clicks into place and press there-heat button (3).

### Cancel

- The toasting operation can be halted at any time by pressing the cancel button (4).

## MAINTENANCE

- Your Black+ Decker tool has been designed to operate over a long period of time with a minimum of maintenance. Continuous satisfactory operation depends upon proper tool care and regular cleaning.

**Warning!** Before performing any maintenance or cleaning of the tool, disconnect the appliance from the power supply. Ventilation slots should be cleaned occasionally with a clean, dry paint brush.

## CLEANING

- Disconnect the appliance from the electrical supply.
- Pull the crumb tray (7) from its location & empty any crumbs into a suitable container.
- The crumb tray may be washed in warm soapy water. Rinse with clean water and dry thoroughly with a dry soft cloth.
- Re-fit the crumb tray in its slot, ensuring the walls on the tray are facing the top. All other parts should be cleaned with a damp cloth & be dried thoroughly using a dry soft cloth before re-use.

**Note:** Do not use abrasives or chemical cleaners on any part of this appliance.

## AFTER USE

- Switch off and remove the plug from the socket before leaving the appliance unattended and before changing, cleaning or inspecting any parts of the appliance.
- When not in use, the appliance should be stored in a dry place. Children should not have access to stored appliances.

## DISCLAIMER

Updates to hardware components are made regularly. Therefore some of the instruction, specifications and pictures in this documentation may differ slightly from your particular situation. All items described in this guide for illustration purposes only and may not apply to particular situation. No legal right or entitlements may be obtained from the description made in this manual.

## TECHNICAL DATA

Model : BXT00201IN  
Voltage : 220-240V - 50/60Hz  
Power : 800W  
Weight : 1.11Kg

## PROTECTING THE ENVIRONMENT

You can help protect the environment!

Please remember to respect the local regulations:  
hand in the non-working electrical equipment to an  
appropriate waste disposal center.



## WARRANTY REGISTRATION FORM

YOUR NAME \_\_\_\_\_

\_\_\_\_\_

YOUR ADDRESS \_\_\_\_\_

\_\_\_\_\_

\_\_\_\_\_

POSTCODE \_\_\_\_\_

DATE OF PURCHASE \_\_\_\_\_

DEALERS NAME & ADDRESS \_\_\_\_\_

\_\_\_\_\_

\_\_\_\_\_

\_\_\_\_\_

PRODUCT MODEL NO.  
BXT00201IN

THIS APPLIANCE IS FOR HOUSEHOLD USE ONLY  
Servicing should only be performed by authorized service personnel.

