

WARRANTY TERMS AND CONDITIONS

Stove Kraft Limited warrants to the purchaser of products for a period of 2 Years commencing from the date of invoice, the company will repair or replace free of charge any part or parts of the product, should the company be fully satisfied in its sole discretion, that the defect/s is/are due to faulty material or workmanship only. The warranty will be governed by the following clauses.

- 1) The company or their Authorised Service Agent will repair / replace all parts that are failing due to faulty material or defective workmanship pertaining to the aboveproduct.
- 2) Only the Company or its Authorised Service Agent can service / repair or attend to install/reinstall the above product.
- 3) On-site warranty will be executed. The warranty will be executed at customer place / authorized dealer / service centers and in which the authorized representative is situated including outstation locations.
- 4) The warranty extended herein is in lieu of all implied conditions & warranties under the law and is confined to the repair or replacement of defective parts and does not cover any consequential or resulting liability, damage or loss arising from such defects. Further more, the warranty in no case shall extend to the payment or any monetary consideration whatsoever, of the replacement or return of the product as a whole.
- 5) This warranty excludes consumables, corrosive, plastic, rubber and glass components adding decorative value to the product.
- 6) The company is not liable to carry out any servicing work under the warranty.
- 7) The courts of competent Jurisdiction at Bangalore, Karnataka shall have exclusive Jurisdiction over all matters arising out of any disputes in relation to product.
- 8) Stove Kraft shall not be liable to replace or repair the good under the terms of warranty
where:
 - a) The fault has been caused or is attributable to accidental use, misuse, negligent use or used contrary to the manufacturer recommendation
 - b) The appliance has been used on a voltage supply other than that stamped on the product.
 - c) Repairs have been attempted by persons other than the company or their authorized service agent.

For any customer complaints, please contact:
Stove Kraft Limited

81, Harohalli Industrial Area, Kanakapura Taluk, Ramanagara District, Bangalore Rural - 562 112
Manager, Consumer Care Cell | Toll Free No.: 1800-425-20202 | Email: bd.customercare@stovekraft.com

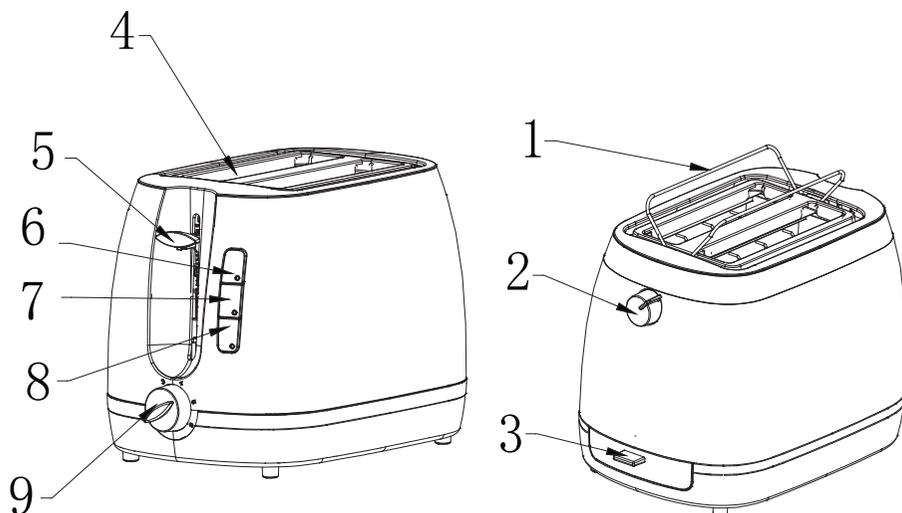


BXTO0202IN

CONTENTS

Know Your Pop Up Toaster	1
Intended Use	2
Safety Instructions	2
Using Your Appliance	2
Safety Of Others	3
After Use	3
Inspection And Repairs	3
Electrical Safety	4
Extension Cables & Class 1 Product	4
Additional Safety Instructions For Toasters	4
Operating Toaster	5
Cleaning	6
Protecting The Environment	7

KNOW YOUR POP UP TOASTER



1. Bread Rack

2. Bread Rack Handle

3. Pull Out Crumb Tray

4. Variable Width Toasting Slots

5. Carriage Control Lever

6. Cancel Button

7. Frozen Button

8. Reheat Button

9. Electronic Variable Browning Control

INTENDED USE

Your Black+Decker Toaster has been designed for toasting slices of bread.

This appliance is intended for indoor consumer use only.

SAFETY INSTRUCTIONS

Warning! When using mains-powered appliances, basic safety precautions, including the following, should always be followed to reduce the risk of fire, electric shock and personal injury and material damage.

Read all of this manual carefully before using the appliance.

- The intended use is described in this manual. The use of any accessory or attachment or the performance of any operation with this appliance other than those recommended in this instruction manual may present a risk of personal injury.
- Retain this manual for future reference.
- The surface of the toaster is liable to get hot during use.
- Always route the cord carefully to avoid a tripping hazard.
- Never operate an appliance directly below the socket-outlet it is connected to.

USING YOUR APPLIANCE

- If applicable, make sure that the appliance is switched off before connecting to or disconnecting from the power supply.
- Always take care when using the appliance.
- Do not use the appliance outdoors.
- Never pull the power supply cord to disconnect the plug from the socket. Keep the power supply cord away from heat, oil and sharp edges.
- Disconnect the appliance from the power supply when not in use, before fitting or removing parts, maintenance and before cleaning.
- Surfaces may be hot during the cool down period.
- Do not operate or place any part of this appliance on or near any hot surface, such as a gas or electric burner or in a heated oven.
- When using an extension cord with your appliance, make sure the extension cord is correctly wired & rated for its use.

SAFETY OF OTHERS

- Do not allow children or any person unfamiliar with these instructions to use the appliance.
- The appliance is not intended for use by persons (including children) with reduced physical sensory or mental capabilities, or lack of experience and knowledge, unless they have been given supervision or instruction concerning use of the appliance by a person responsible for their safety.
- Children should be supervised to ensure that they do not play with the appliance.
- Do not allow children or animals to come near the work area or touch the appliance or power supply cord. Close supervision is necessary when the appliance is used near children.
- Never leave an appliance unattended when in use.
- Do not allow the cord set to hang over bench tops.

AFTER USE

- Switch off and remove the plug from the socket before leaving the appliance unattended and before changing, cleaning or inspecting any parts of the appliance.
- When not in use, the appliance should be stored in a dry place. Children should not have access to stored appliances.

INSPECTION AND REPAIRS

- Before use, check the appliance for damaged or defective parts. Check for breakage of parts, damage to switches and any other conditions that may affect its operation.
- Do not use the appliance if any part is damaged or defective.
- Have any damaged or defective parts repaired or replaced by an authorized repair agent.
- Before use, check the power supply cord for signs of damage, ageing & wear.
- Do not use the appliance if the power supply cord or mains plug is damaged or defective.

- If the power supply cord or mains plug is damaged or defective it must be repaired by an authorized agent in order to avoid a hazard. Do not cut the power supply cord and do not attempt to repair it yourself.
- Never attempt to remove or replace any parts other than those specified in this manual.
- Do not attempt to repair the appliance.

ELECTRICAL SAFETY

This product must be earthed. Always check that the power supply corresponds to the voltage on the rating plate.

EXTENSION CABLES & CLASS 1 PRODUCT

A 3 core cable must be used as your tool is earthed and of class 1 construction.

ADDITIONAL SAFETY INSTRUCTIONS FOR TOASTERS

- Do not immerse the appliance, cord set or plug in liquids.
- Always leave sufficient space around the appliance for ventilation.
- Do not use the unit if you have wet hands or bare feet.
- “Switch off the appliance before changing accessories or approaching parts which move in use”.
- The bread may burn, therefore do not use the toaster near or below combustible material, such as curtains.

OPERATING TOASTER

1. Insert the plug into a suitable mains supply socket and turn the power on.
2. Place up to two slices of bread, muffins, or bagels into bread slots.
3. Select the desired browning setting, from No.1 to No.6 on the browning control knob. (No.1-lighter, No.6-darker).
When using the toaster for the first time we suggest you toast on setting 3. Varying types of bread and personal preference may require a different browning setting.
4. Press the carriage control lever down until it clicks into place.
Toasting cycle will automatically commence. Please note:
if the toaster is not plugged in and switched on at the power point the carriage control lever will not click into place.
5. The toaster turns off when the desired toast color is achieved and automatically raises the toast. The toasting process can be stopped at any time by pressing the cancel button.
6. Use the bread rack to heat up rolls or other bread. Place the bread on the top of the rack. Please note: Only heat up one piece at a time.
Select browning setting and press the carriage control lever down to switch on the toaster. Toasting cycle will commence and the toaster turns off when the desired toast color is achieved automatically.

TOASTING FROZEN BREAD:

To toast frozen bread, place the bread into the bread slots and select the desired browning setting. Press the carriage control lever down until it clicks into place then press the frozen button.

REHEATING TOAST:

The toaster allows you to reheat toast without additional toasting. To reheat, place toast into bread slots, lower the carriage control lever until it clicks into place and press the reheat button.

In the unlikely event that the bread or crumpet becomes jammed, switch the toaster off at the power outlet, remove the plug from the supply socket and carefully ease the bread out of the toaster, ensuring that you do not damage the element.

CLEANING

Disconnect the appliance from the electrical supply.

Pull the crumb tray (7) from its location & empty any crumbs into a suitable container.

The crumb tray may be washed in warm soapy water. Rinse with clean water and dry thoroughly with a dry soft cloth.

Re-fit the crumb tray in its slot, ensuring the walls on the tray are facing the top.

All other parts should be cleaned with a damp cloth & be dried thoroughly using a dry soft cloth before re-use.

Note: Do not use abrasives or chemical cleaners on any part of this appliance.

TECHNICAL DATA

Model : BXTO0202IN
Voltage : 220-240V/ 50 Hz
Power : 870W
Weight : 1.12 Kg

PROTECTING THE ENVIRONMENT

Separate collection. This product must not be disposed of with normal household waste.

Should you find one day that your Black+Decker product needs replacement, or if it is of no further use, do not dispose of it with other household waste. Make this product available for separate collection.



WARRANTY REGISTRATION FORM

YOUR NAME _____

YOUR ADDRESS _____

POSTCODE _____

DATE OF PURCHASE _____

DEALERS NAME & ADDRESS _____

PRODUCT MODEL NO.
BXTO0202IN